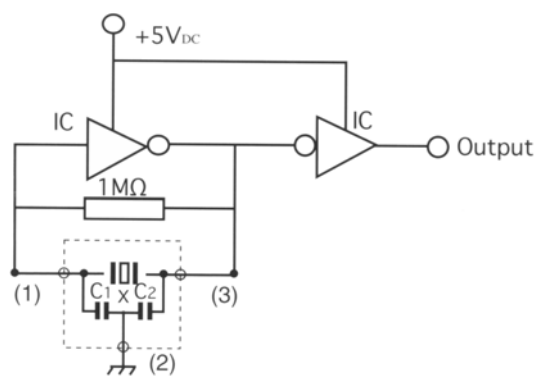


CERAMIC RESONATORS

Built-in capacitor types

KX-ZTT series

model	KX-ZTT MX
frequency range	13,1 ~ 50,0 MHz
internal capacitance C ₁ , C ₂	13,1 ~ 20,0 MHz 30 pF 20,1 ~ 25,99 MHz 15 pF 26,0 ~ 50,0 MHz 5 pF
frequency tolerance at +25 °C	± 0,5%
frequency stability at -20° ~ +80° C	± 0,3%
aging for 10 years	± 0,3%
resonate resistance max.	50 ohm
test circuit IC	TC 74 HCU04
height (h) max.	10,0 mm
lead-free	started from date code May, 2005
packing unit	500 pcs.
order no.	12.99500 ~ 12.99900



test circuit

