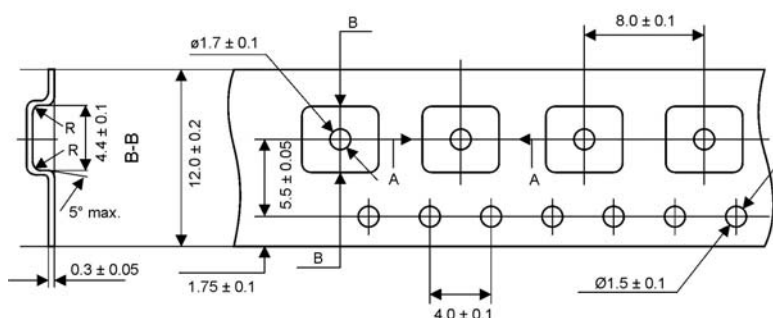
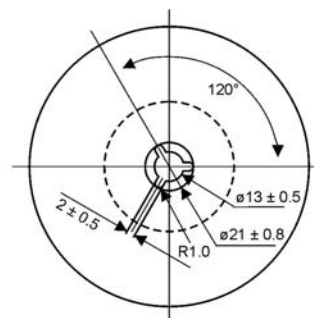
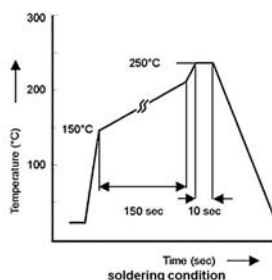
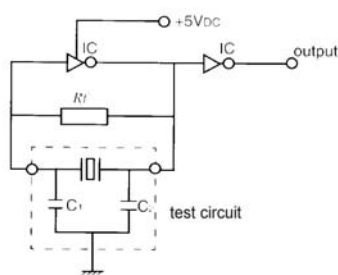


CERAMIC RESONATORS

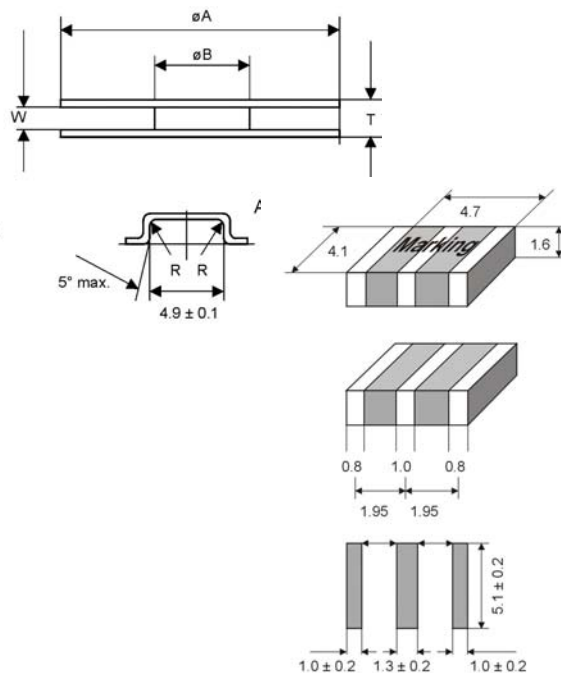
Built-in capacitor types

SMD-version KX-ZTT C series

model	KX-ZTT CS MX
frequency range	13,01 ~ 50,0 MHz
internal capacitance C ₁ , C ₂	13,01 - 16,0 MHz 22 pF 16,01 - 40,0 MHz 15 pF 40,01 - 50,0 MHz 5 pF
frequency tolerance at +25°C	± 0,5%
frequency stability at -20° ~ +80°C	± 0,3%
aging for 10 years	± 0,3%
resonant resistance (max.)	40 ohm
test circuit IC	TC 74 HCU04
lead-free	started from date code May, 2005
contens of reel	1000 pcs.
part no.	12.99000 ~ 12.99999



for ZTT CS MX: ØA= 177mm (7"), W= 12mm



suggested soldering pad