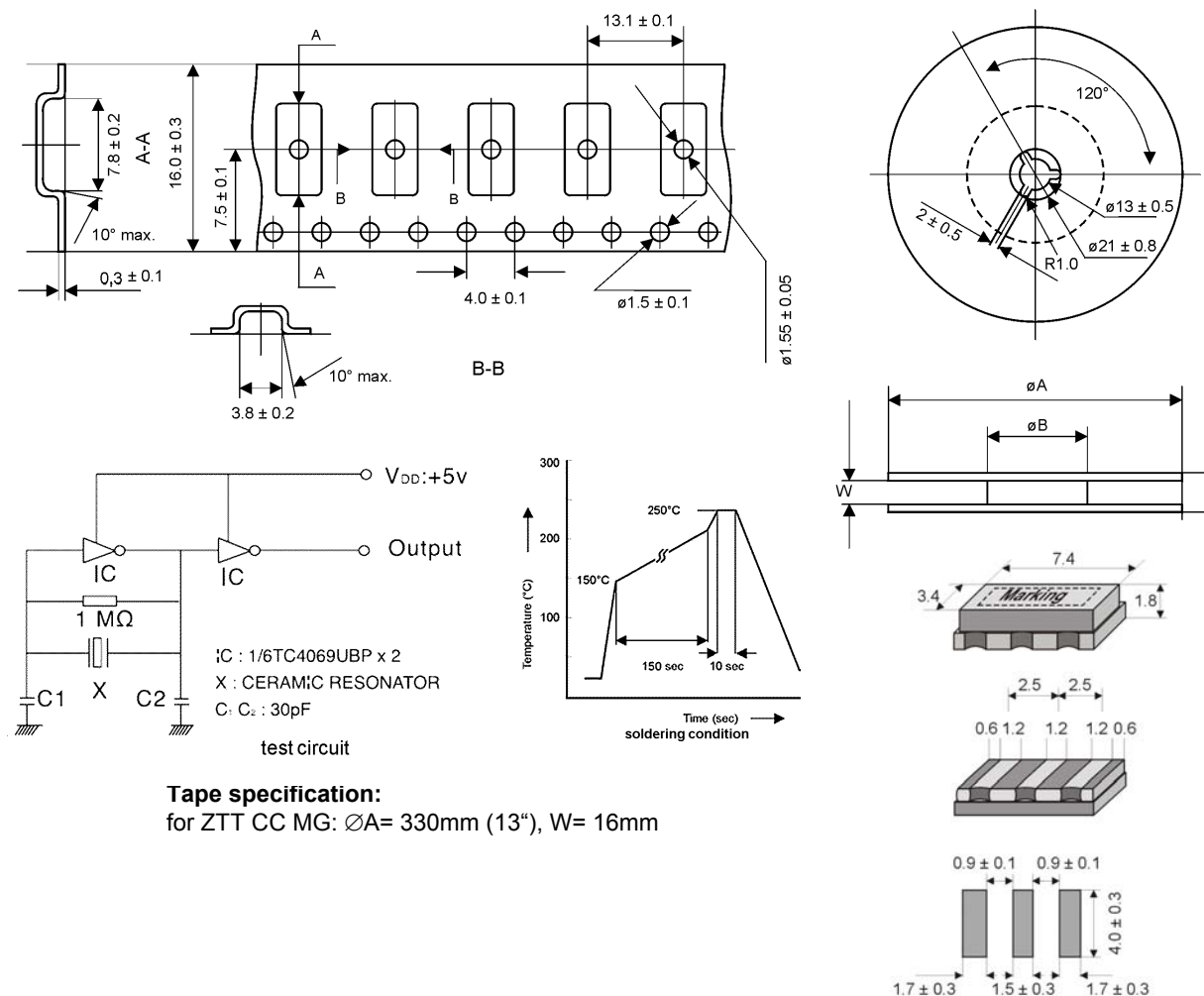


CERAMIC RESONATORS

SMD-version
KX-ZTT C series

Built-in capacitor types

model	KX-ZTT CC MG
frequency range	1,84 ~ 8,0 MHz
internal capacitance C ₁ , C ₂	22 pF
frequency tolerance at +25°C	± 0,5%
frequency stability at -20° ~ +80°C	± 0,3%
aging for 10 years	± 0,3%
resonant resistance max.	1,84 - 2,99 MHz 100 ohm 3,00 - 3,49 MHz 50 ohm 3,50 - 8,00 MHz 30 ohm
test circuit IC	CD 4069 UBXP2
lead-free	started from date code May, 2005
contens of reel	4000 pcs.
part no.	12.99000 ~ 12.99999



Tape specification:
for ZTT CC MG: $\varnothing A = 330\text{mm}$ (13"), $W = 16\text{mm}$