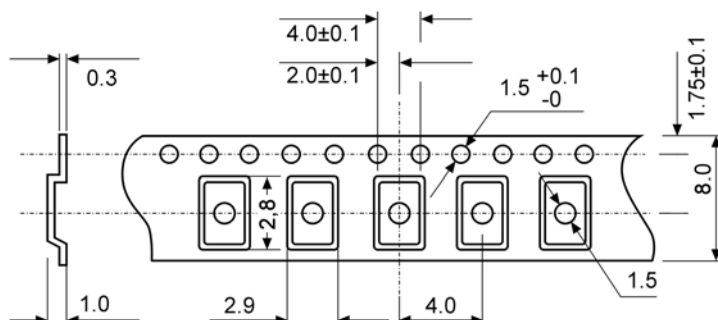
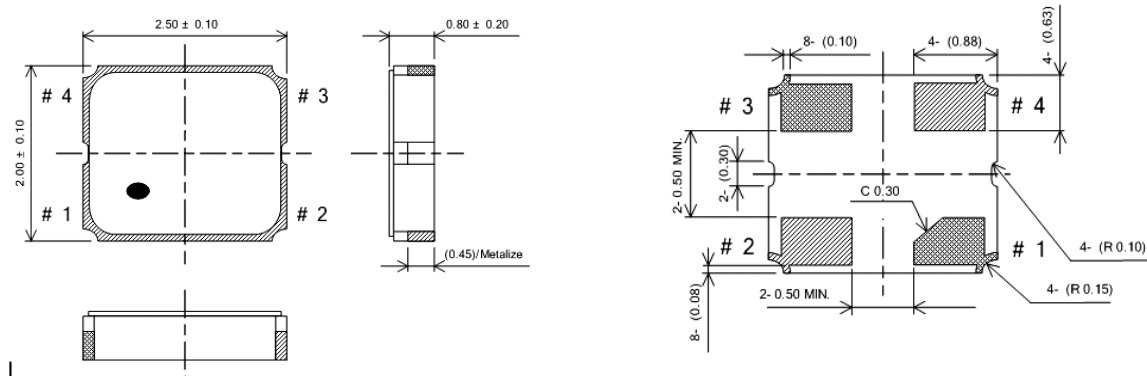


SAW Bandpass Filter

SMD version

model	KX-SF		
frequency	1575,42 MHz		
operating temperature range	-30 °C ~ +70 °C		
storage temperature range	-40 °C ~ +85 °C		
electrical specification - terminating source impedance - terminating load impedance	50 Ohm and matching network 50 Ohm and matching network		
	minimum	typical	maximum
center frequency	-	1575,42 MHz	-
insertion loss (Fo +/- 1 MHz)	-	2,0 dB	2,6 dB
amplitude ripple (Fo +/- 1 MHz)	-	0,2 dB p-p	0,5 dB p-p
relative attenuation			
1475,42 MHz	35 dB	40 dB	-
1525,42 MHz	25 dB	30 dB	-
1625,42 MHz	25 dB	30 dB	-
1675,42 MHz	35 dB	40 dB	-
input/output VSWR 1574,42 ~ 1576,42 MHz	-	1,5	2,0
insertion loss (Fo +/- 1 MHz) at 25 °C	-	2,0 dB	2,5 dB
amplitude ripple (Fo +/- 1 MHz) at 25 °C	-	0,2 dB	0,5 dB
Pin configuration	1 = input 3 = output 2 = ground 4 = ground		
internal part no.	F1G52		
lead-free	started from date code May, 2005		
contents of reel	1000 pcs.		
order no.	12.98600		



reel diameter 330 mm